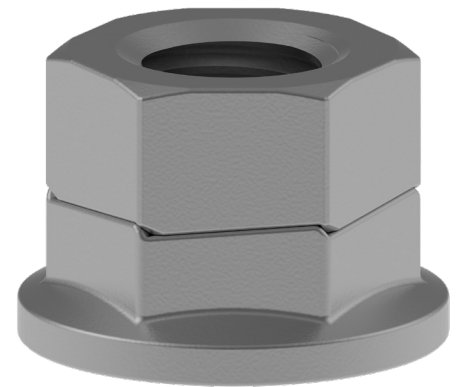


Disc-Lock™ Lock Nut - Data Sheet

Introduction

The Disc-Lock™ Locking Nut is a 2-piece assembly where the top component is a threaded hexagon nut and the bottom component is a hexagon flange washer. The threaded nut section has cams on the underside and a pilot that is splayed open to retain the washer; the hex washer has cams on the topside to match the nut cams and a smooth flanged bearing surface.

When a standard bolting assembly is subjected to vibration and/or shock the nut turns, the assembly loosens and clamp load is lost. Where Disc-Lock™ Locking Nuts are fitted and the nut attempts to turn, the interlocking cams between the 2-piece nut have to rise against each other however this movement results in more tensile load in the bolt. Mechanically one action cancels out the other therefore clamp load would be maintained and the assurance of the bolting assembly is protected.



Installation & Removal

The Disc-Lock™ Locking Nut is easy to install and remove in exactly the same way as a standard nut. Place an appropriately sized socket over both hexagon nut and hexagon flanged washer to tighten or loosen.

Products

Disc-Lock™ Locking Nuts are available in the following sizes and dimensions.

Item	A	B	C
M10 x 1.5p	11mm	20mm	15mm
M12 x 1.75p	17.5mm	48mm	19mm
M14 x 1.5p	21mm	32mm	24mm
M16 x 1.5p	21mm	32mm	24mm
M16 x 2.0p	21mm	32mm	24mm

